

## 2300 HIGH CAPACITY LOAD CELL (U.S. & METRIC)

### FEATURES & BENEFITS

- Capacities 630, 1000, 2000 kN (140K, 225K, 450K lbf)
- Accuracy class 0.05% FS
- Tension & compression
- Low profile, small mass
- Flange mounted
- Dual bridge available

### SPECIFICATIONS

PARAMETERS		MODEL		
		2330	2340	2350
		CAPACITY		
Measuring Range	Metric (kN)	630	1000	2000
	U.S. (lbf)	140K	225K	450K
<b>ACCURACY – (MAX ERROR)</b>				
Static Error Band – %FS		±0.05		
Nonlinearity – %FS		±0.05		
Hysteresis – %FS		±0.10		
Nonrepeatability – %RO		±0.05		
Creep, in 20 min – %		±0.025		
Side Load Sensitivity – %		±0.25		
Eccentric Load Sensitivity – % / mm		±0.02		
<b>OVERLOAD RATING</b>				
Safe, axial load – % Capacity MAX		150		
Ultimate, axial load – % Capacity MAX		300		
Safe, side load – % Capacity MAX		75		
Max torsional moment- kNm MAX		10.0	20.0	38.5
<b>TEMPERATURE</b>				
Compensated Range	°C	+10 to +60		
	°F	-12.2 to +15.6		
Operating Range	°C	+10 to +60		
	°F	-12.2 to +15.6		
Effect on Zero – %RO / deg		±0.0025		
Effect on Output – %/ deg		±0.005		
<b>ELECTRICAL</b>				
Rated Output, Tension – mV/V (Nominal)		2.00 ± 0.20		
Rated Output, Compression – mV/V (Nominal)		-2.00 ± 0.20		
Excitation Voltage – VDC (Nominal)		10		
Excitation Voltage – VDC MAX		20		
<b>MECHANICAL</b>				
Fatigue Range – %CAP		±80		
Weight	kg	9.98	20.19	55.33
	lbs	22	44.51	122
Material		Steel		

### STANDARD CONFIGURATION

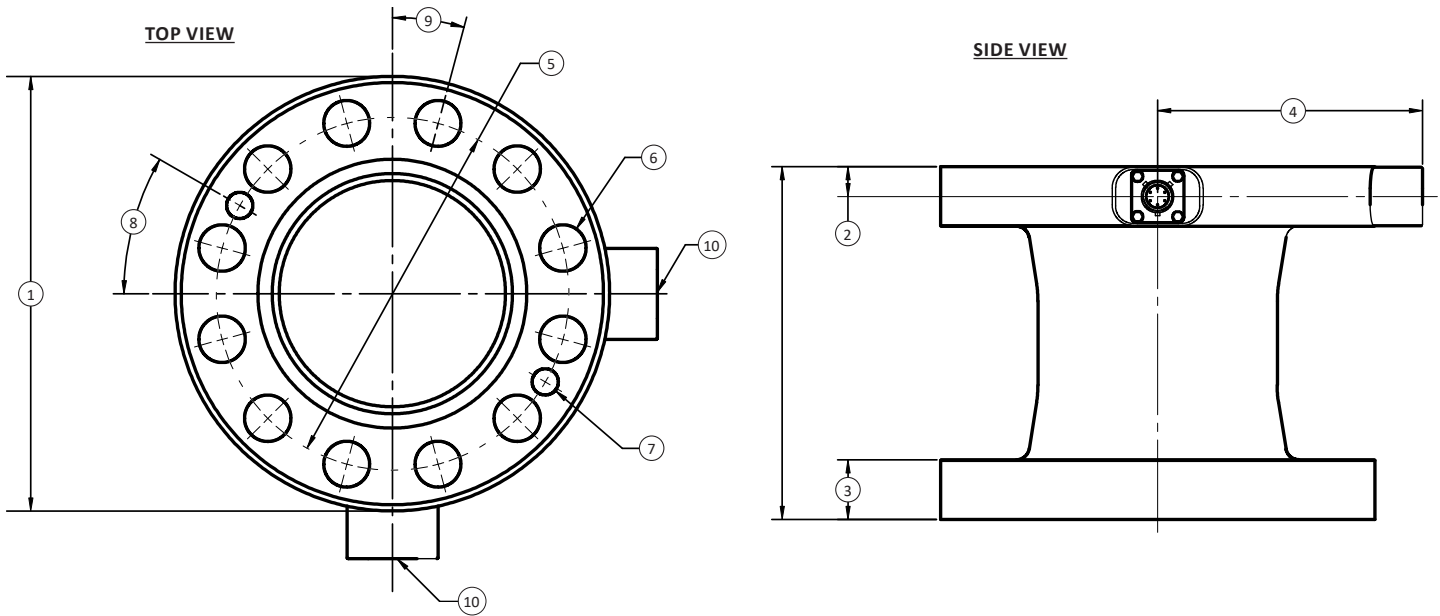


Model 2340 (Shown)

### OPTIONS

- Fixed cable or plug connection
- Redundancy: Dual bridge for axial force measurement
- TEDS calibration IEEE 1451.4

## 2300 HIGH CAPACITY LOAD CELL (U.S. & METRIC)



### DIMENSIONS

See Drawings	MODEL					
	2330		2340		2350	
	CAPACITY					
	Metric (kN)	U.S. (lbf)	Metric (kN)	U.S. (lbf)	Metric (kN)	U.S. (lbf)
	630	140K	1000	225K	2000	450K
	mm	in	mm	in	mm	in
(1)	Ø197	Ø7.76	Ø240.0	Ø9.45	305.0	12.01
(2)	13.5	0.53	201	7.9	28.7	1.13
(3)	27 TYP	1.06 TYP	230 TYP	1.57 TYP	57.5 TYP	2.26 TYP
(4)	120.1 TYP	4.73 TYP	40 TYP	1.6 TYP	174.1 TYP	6.85 TYP
(5)	Ø160	Ø6.3	Ø200	Ø7.87	Ø250.0	Ø9.84
(6)	Ø21.1 THRU	Ø0.83 THRU	Ø25.4 THRU	Ø1.00 THRU	Ø32.5 THRU	Ø1.28 THRU
	12 Holes ES Spaces		12 Holes ES Spaces		12 Holes ES Spaces	
(7)	Ø(0.4735/0.4724) ↓ 11.9	Ø0.47 H8 X ↓ 0.47	Ø(0.4735/0.4724) ↓ 11.9	Ø0.47 H8 X ↓ 0.47	Ø(0.4735/0.4724) ↓ 11.9	Ø0.47 H8 X ↓ 0.47
	2 Holes ES Both Ends		2 Holes ES Both Ends		2 Holes ES Both Ends	
(8)	30°		30°		30°	
(9)	15°		15°		15°	
(10)	PT02E-10-6P Connector (Dual Bridge Option)		PT02E-10-6P Connector (Dual Bridge Option)		PT02E-10-6P Connector (Dual Bridge Option)	
(11)	PT02E-10-6P Connector (Primary Bridge)		PT02E-10-6P Connector (Primary Bridge)		PT02E-10-6P Connector (Primary Bridge)	