

2400 HIGH CAPACITY STANDARD STAINLESS STEEL LOAD CELL (U.S. & METRIC)

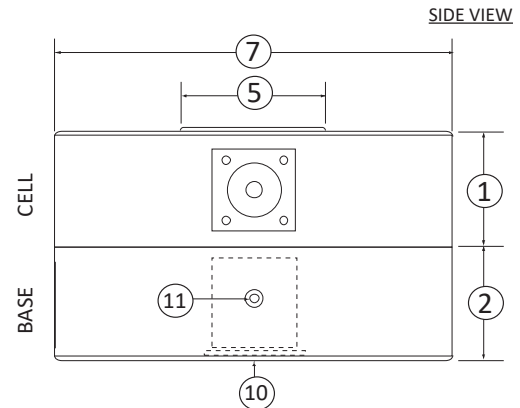
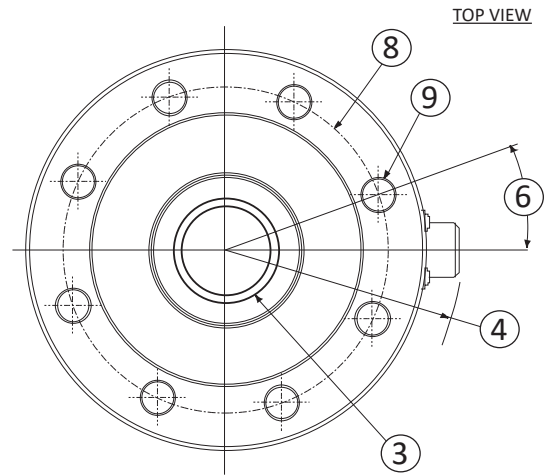
FEATURES & BENEFITS

- Capacities from 7.5K to 300K lbf (33.4 to 1350 kN)
- Proprietary Interface temperature compensated strain gages
- Welded diaphragm
- Tension & compression
- Compact size
- Counterbored mounting holes in 10K lbf (44.5 kN) model

STANDARD CONFIGURATION



Model 2450BXM-50K (Shown)



DIMENSIONS

See Drawing	MODEL							
	2440		2450		2470		2480	
	CAPACITY							
	U.S. (lbf)	Metric (kN)	U.S. (lbf)	Metric (kN)	U.S. (lbf)	Metric (kN)	U.S. (lbf)	Metric (kN)
	7.5K, 10K, 15K	33.4, 50, 75	20K, 50K	100, 250	150K, 200K	750, 1000	300K	1350
in	mm	in	mm	in	mm	in	mm	
(1)	1.80	45.7	1.80	45.7	2.50	63.5	4.25	108.0
(2)	1.75	44.5	1.75	44.5	2.50	63.5	4.25	108.0
(3)	1-14 UNS-3B		1 ½-12 UNF-3B		2.50-12 UN		3.50-8 UN	
(4)	Ø3.56	Ø85.2	Ø3.81	Ø96.8	Ø6.31	Ø160.3	Ø8.07	Ø205.0
(5)	Ø1.71	Ø43.5	Ø2.23	Ø56.6	Ø4.66	Ø118.3	Ø7.36	Ø186.9
(6)	22.5°		20.0°		11.25°		15°	
(7)	Ø5.50	Ø139.7	Ø6.00	Ø152.4	Ø11.00	Ø279.4	Ø14.00	Ø355.6
(8)	Ø4.50	Ø114.3	Ø4.88	Ø123.8	Ø9.50	Ø241.3	Ø11.75	Ø298.5
(9)	Ø0.41	Ø10.4	Ø0.53	Ø13.5	Ø0.78	Ø19.9	Ø1.03	Ø26.2
(10)	8 places		8 places		12 places		12 places	
(11)	1-14 UNS-3B		1 ½-12 UNF-3B		2 ½-12 UN		3 ½-8 UN	
(11)	Spanner holes 4 SPACED @ 90°							

2400HC v2.4 03-10-2020

2400 HIGH CAPACITY STANDARD STAINLESS STEEL LOAD CELL (U.S. & METRIC)

SPECIFICATIONS

PARAMETERS	MODEL								
	2440		2450		2470		2480		
	CAPACITY								
	U.S. (lbf)	Metric (kN)	U.S. (lbf)	Metric (kN)	U.S. (lbf)	Metric (kN)	U.S. (lbf)	Metric (kN)	
	7.5K, 10K, 15K	37.5, 50, 75	20K, 50K	100, 250	150K, 200K	750, 1000	300K	1350	
ACCURACY – (MAX ERROR)									
Static Error Band – %FS	±0.10		±0.10		±0.10		±0.10		
Nonlinearity – %FS	±0.10		±0.10		±0.10		±0.10		
Hysteresis – %FS	±0.08		±0.08		±0.08		±0.08		
Nonrepeatability – %RO	±0.03		±0.03		±0.03		±0.03		
Creep, in 20 min – %	±0.03		±0.05		±0.03		±0.03		
TEMPERATURE									
Compensated Range	°F	+15 to +115		+15 to +115		+15 to +115		+15 to +115	
	°C	-10 to +45		-10 to +45		-10 to +45		-10 to +45	
Operating Range	°F	-65 to +200		-65 to +200		-65 to +200		-65 to +200	
	°C	-55 to +90		-55 to +90		-55 to +90		-55 to +90	
Effect on Zero – %RO / °F MAX	±0.0015		±0.0015		±0.0015		±0.0015		
Effect on Output – %RO / °F MAX	±0.0008		±0.0008		±0.0008		±0.0008		
ELECTRICAL									
Rated Output – mV/V (Nominal)	3.0		3.0		3.0		3.0		
Excitation Voltage – VDC MAX	20		20		20		20		
Bridge Resistance – Ohm (Nominal)	350		350		350		350		
Zero Balance – %RO	±2.0		±2.0		±2.0		±2.0		
Insulation Resistance – Megohm	5000		5000		5000		5000		
MECHANICAL									
Safe Overload – %CAP	±150		±150		±150		±150		
Deflection @ RO	in	0.003		0.004		0.010		0.010	
	mm	0.08		0.10		0.25		0.25	
Optional Base – P/N	B323-2		B320-1		N/A		N/A		
Natural Frequency – kHz	9.4		8.0		4.5		4.1		
Weight	lbs	6		9		46		130	
	kg	2.7		4.1		20.9		59	
Seal	Environmental								
Material	Stainless Steel		Stainless Steel		Stainless Steel		Carbon Steel		

OPTIONS

- Base (recommended)
- Transducer Electronic Data Sheet (TEDS)
- Custom calibration
- Special threads
- Special temperature range
- Cable length
- Add connector to cable

CONNECTOR OPTIONS

- MS3102E-14S-6P

ACCESSORIES

- Mating connector
- Instrumentation
- Loading hardware

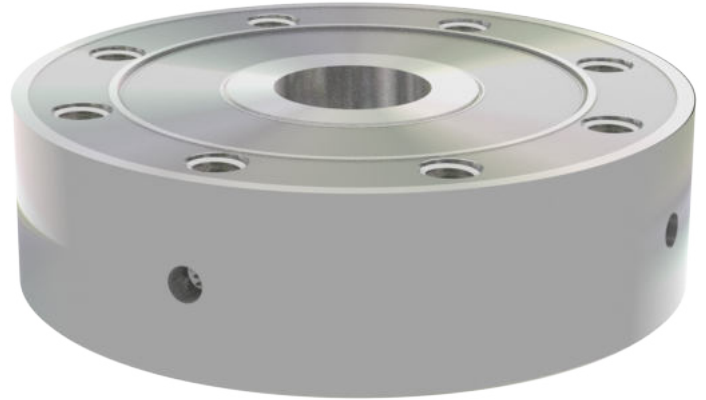
2400 HIGH CAPACITY STANDARD STAINLESS STEEL LOAD CELL (U.S. & METRIC)

BAYONET CONNECTOR



Model 2450BXM-50K

BASE



Model B24XX

