

## LBMP OVERLOAD PROTECTED COMPRESSION LOAD BUTTON (U.S. & METRIC)

### FEATURES & BENEFITS

- Capacities from 0.01 to 100 kN (2.25 to 22.5K lbf)
- Overload protected
- Temperature compensated
- Small diameter
- Environmentally sealed
- Stainless steel

### SPECIFICATIONS

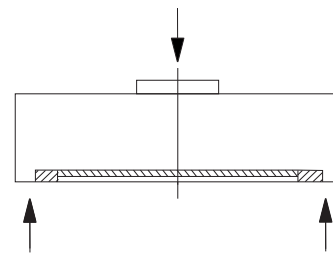
ACCURACY – (MAX ERROR)		
Nonlinearity – %FS		±0.5
Hysteresis – %FS		±0.5
Nonrepeatability – %RO		±0.2
Creep, in 30 min – %		±0.1
TEMPERATURE		
Effect on Zero – %RO / deg	°C	±0.02
Effect on Output – % / deg	°C	±0.02
Compensated Range	°C	0 to +60
	°F	+32 to +140
Operating Range	°C	-10 to +70
	°F	+14 to +158
ELECTRICAL		
Output – mV/V ± %	(0.01 kN)	0.5 ± 20
	(2.25 lbf)	
	(0.02-100 kN)	1 ± 20
	(4.5-22.5K lbf)	
Excitation Voltage – VDC	(0.01 - 0.05 kN)	2 - 6
	(2.25-11.2 lbf)	
	(0.1 - 100 kN)	2 - 12
	(22.5-22.5K lbf)	
Bridge Resistance – Ohm		350
MECHANICAL		
Safe Overload – %CAP	(0.01 - 0.2 kN)	500
	(0.5 - 100 kN)	300
Deflection at Rated Capacity	mm	< 0.15
	in	< 0.006
IP Rating	(0.01 - 0.02 kN)	IP60
	(0.05 - 100 kN)	IP65
Net Weight	kg (0.01-10 kN)	0.3
	lbs (2.25-2.25K lbf)	0.66
	kg (20 kN)	0.4
	lbs (4.5K lbf)	0.88
	kg (50 kN)	0.7
	lbs (11.2K lbf)	1.54
	kg (100 kN)	1.7
lbs (22.5K)	3.75	
Material		Stainless steel

### STANDARD CONFIGURATION



Model LBMP-50K (Shown)

### LOADING DIAGRAM



### OPTIONS

- Special temperature range
- Internal shunt resistor – 100% output
- Standardized output
- Cable length
- Add connector to cable
- Transducer Electronic Data Sheet (TEDS)
- Custom calibration

### CONNECTOR OPTIONS

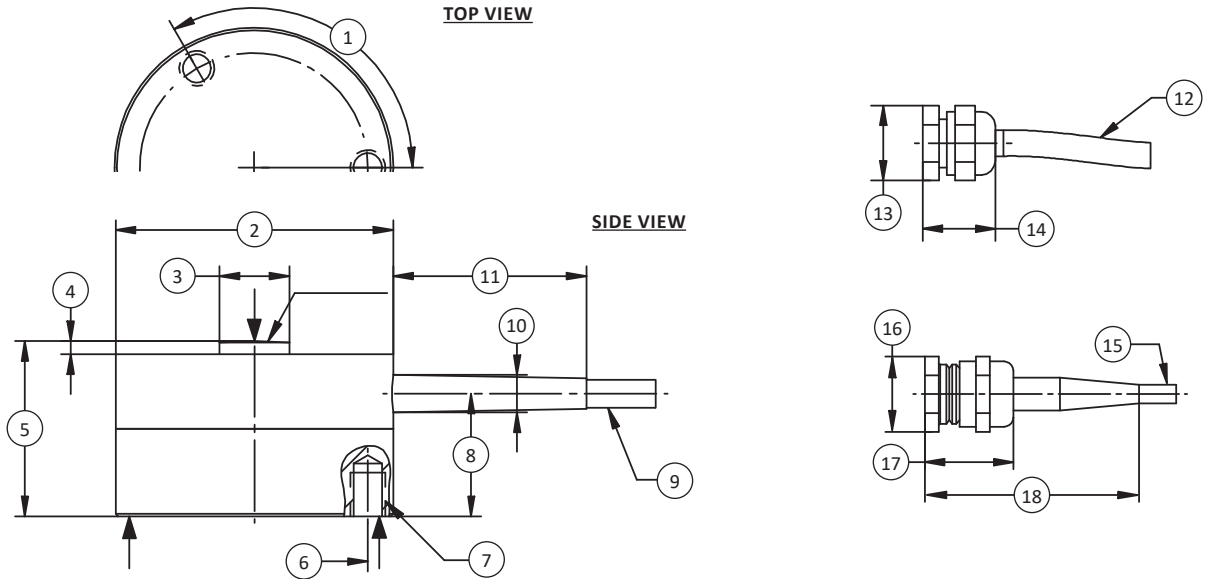
- 3 m (10 ft) integral cable

### ACCESSORIES

- Instrumentation

U.S. dimensions and capacities are provided for conversion only. Standard products have International System of Units (SI) capacities and dimensions.

## LBMP OVERLOAD PROTECTED COMPRESSION LOAD BUTTON (U.S. & METRIC)



### DIMENSIONS

See Drawing	CAPACITY							
	Metric (kN)	U.S. (lbf)	Metric (kN)	U.S. (lbf)	Metric (kN)	U.S. (lbf)	Metric (kN)	U.S. (lbf)
	0.01, 0.02, 0.05, 0.1, 0.2, 0.5, 1, 2, 5, 10	2.25, 4.50, 11.2, 22.5, 45, 112, 225, 450, 1.12K, 2.25K	20	4.5K	50	11.2K	100	22.5K
	mm	in	mm	in	mm	in	mm	in
(1)	3 x 120°							
(2)	32 (+0.2)	1.3 (+0.008)	39 (+0.2)	1.5 (+0.008)	52 (+0.2)	2.0 (+0.008)	79 (+0.2)	3.1 (+0.008)
(3)	8	0.3	11	0.4	15	0.6	20	0.8
(4)	1.8 (±0.2)	0.1 (±0.008)	2 (±0.2)	0.1 (±0.008)	3 (±0.2)	0.1 (±0.008)	5 (±0.2)	0.2 (±0.008)
(5)	20 (±0.2)	0.8 (±0.008)	24 (±0.2)	0.9 (±0.008)	40 (±0.2)	1.6 (±0.008)	50 (±0.2)	2.0 (±0.008)
(6)	26 (±0.1)	1.0 (±0.004)	32 (±0.1)	1.3 (±0.004)	42 (±0.1)	1.7 (±0.004)	65 (±0.1)	2.6 (±0.004)
(7)	M4 ↓ 5	0.1574 ↓ 0.2	M3 ↓ 5	0.1181 ↓ 0.2	M4 ↓ 5	0.1574 ↓ 0.2	M5 ↓ 6	0.1968 ↓ 0.2
(8)	14	0.6	12.5	0.49	25	1.0	21	0.8
(9)	∅3.2	∅0.13	-	-	-	-	-	-
(10)	∅4.2	∅0.17	∅4.2	∅0.17	∅4.2	∅0.17	∅4.2	∅0.17
(11)	22	0.9	22	0.9	22	0.9	22	0.9
(12)	-	-	∅3.2	∅0.13	-	-	-	-
(13)	∅10	∅0.4	∅10	∅0.4	∅10	∅0.4	∅10	∅0.4
(14)	9	0.4	9	0.4	9	0.4	9	0.4
(15)	-	-	-	-	∅4.6	∅0.18	∅4.6	∅0.18
(16)	∅17	∅0.7	∅17	∅0.7	∅17	∅0.7	∅17	∅0.7
(17)	19	0.7	19	0.7	19	0.7	19	0.7
(18)	46	1.8	46	1.8	46	1.8	46	1.8