

LBMU HIGH ACCURACY COMPRESSION LOAD BUTTON (U.S. & METRIC)

FEATURES & BENEFITS

- Capacities from 100 - 1K lbf (0.45 - 4.45 kN)
- Temperature compensated
- Superior to any other load button
- Stainless steel
- Enhanced eccentric load rejection
- Low power

SPECIFICATIONS

ACCURACY – (MAX ERROR)		
Nonlinearity – %FS		±0.15
Hysteresis – %FS		±0.15
Nonrepeatability – %RO		±0.05
TEMPERATURE		
Compensated Range	°F	+70 to +170
	°C	+20 to +75
Operating Range	°F	-65 to +200
	°C	-55 to +90
Effect on Zero – %RO / deg	°F	±0.0005
Effect on Output – % / deg	°F	±0.0002
Zero Balance – %FS		±2.0
ELECTRICAL		
Rated Output – mV/V (Nominal)		2.0
Bridge Resistance – Ω (Nominal)		700
Excitational Voltage – VDC		5
MECHANICAL		
Safe Overload – %CAP		150
Calibration		Compression
Ultimate Overload – %CAP		300
Deflection	in	0.001 - 0.003
	mm	0.025 - 0.076
Cable Type		4-Conductor
Material		Stainless steel

OPTIONS

- Cable length
- Standardized output
- Custom calibration
- Add connector to cable
- Special temperature range
- Transducer Electronic Data Sheet (TEDS)

CONNECTOR OPTIONS

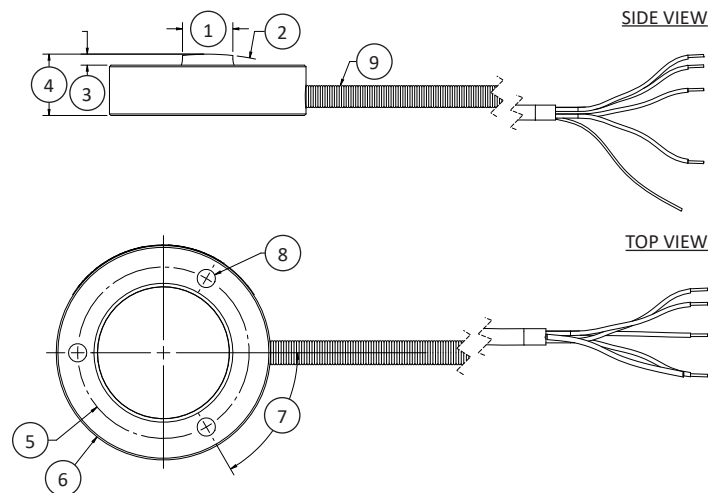
- 5 ft (1.5 m) integral cable

International System of Units (SI) dimensions and capacities are provided for conversion only. Standard products have U.S. capacities and dimensions. SI capacities available upon special request and at an additional cost.

STANDARD CONFIGURATION



Model LBMU (Shown)



DIMENSIONS

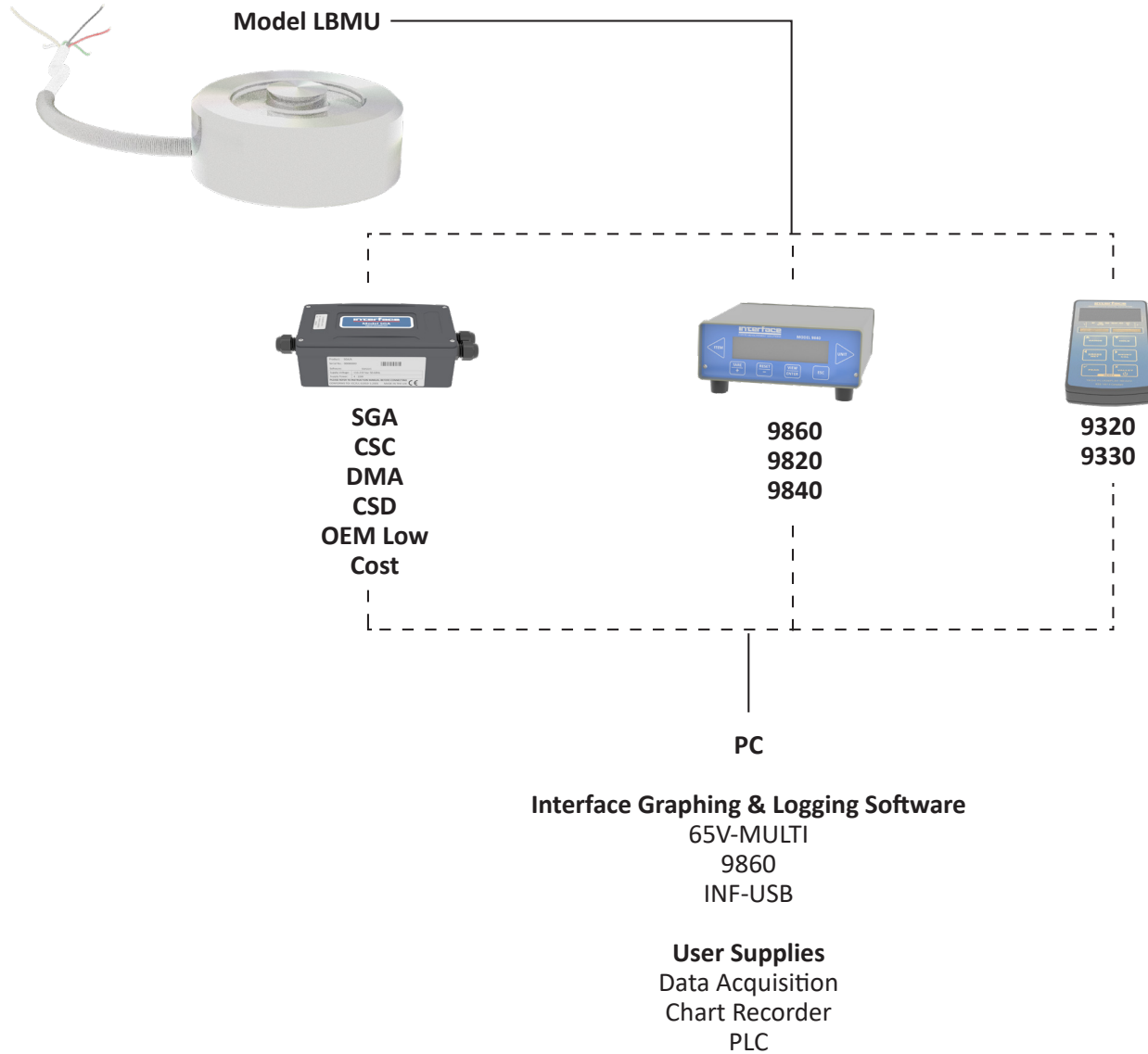
See Drawing	CAPACITY	
	U.S. (lbf)	Metric (kN)
	100, 250, 500, 1K	0.45, 1.10, 2.20, 4.45
	in	mm
(1)	Ø0.32	Ø8.1
(2)	1.50	38.1
(3)	0.07	1.8
(4)	0.39	9.9
(5)	1.00	25.4
(6)	1.25	31.8
(7)	60° ± 3°	
(8)	3 x (6-32) UNC-2B ↓ 0.25 EQ SP	3 x (M3.5x0.6) ↓ 6.4 EQ SP
(9)	Ø0.15 Spring O.D.	Ø3.81 Spring O.D.

ACCESSORIES

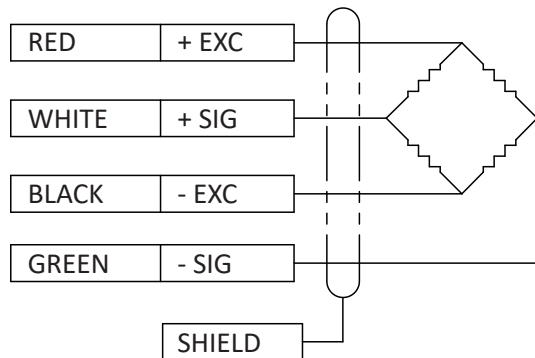
- Instrumentation

LBMU HIGH ACCURACY COMPRESSION LOAD BUTTON (U.S. & METRIC)

SAMPLE SYSTEM OVERVIEW



WIRING DIAGRAM



ORDERING INFORMATION

LBMU - xxx - xxx

Factory assigned option codes for custom / special configurations

Capacity Rating (lbf / kN)
[100, 250, 500, 1K] / [0.44, 1.11, 2.22, 4.45]

Model

LBMU v2.2.01-28-2021