

## SSM/SSM2 SEALED S-TYPE LOAD CELL (U.S. & METRIC)

### FEATURES & BENEFITS

- Proprietary Interface temperature compensated strain gages
- Environmentally sealed
- 0.02% non-repeatability
- 0.0008%/°F (0.0015%/°C) temp. effect on output
- 0.025% creep
- Tension and compression

### SPECIFICATIONS

ACCURACY – (MAX ERROR)					
Nonlinearity – %FS		±0.05			
Hysteresis – %FS		±0.03			
Nonrepeatability – %RO		±0.02			
Creep, in 20 min – %		±0.025			
TEMPERATURE					
Compensated Range		°F	0 to +150		
		°C	-15 to +65		
Operating Range		°F	-65 to +200		
		°C	-55 to +90		
Effect On Output – % / deg		°F	±0.0008		
		°C	±0.0015		
Effect On Zero – %RO / deg		°F	±0.0015		
		°C	±0.0027		
ELECTRICAL					
Rated Output – mV/V (Nominal)		3			
Zero Balance – %RO		±1			
Bridge Resistance – Ohm (Nominal)		350			
Excitation Voltage – VDC MAX		15			
Insulation Resistance – Megohm		> 5000			
MECHANICAL					
Calibration		Tension			
Safe Overload – % CAP		150			
NATURAL FREQUENCY/DEFLECTION					
Model	lbf	N	Deflection		Nat. Freq. (Hz)
			in	mm	
	50	200	0.003	0.08	1500
	100	500	0.004	0.1	1850
	150	700	0.004	0.1	1850
	250	1K	0.006	0.15	2350
	500	2K	0.005	0.13	2150
	750	2K	0.005	0.13	2350
	1K	5K	0.005	0.13	3350
	2K	10K	0.005	0.13	2400
	3K	15K	0.005	0.13	3000
	5K	20K	0.005	0.13	2520
SSM2	5K, 10K	25K, 50K	0.005	0.13	2520
Material	25 - 1Klbf		Aluminum		
	100 - 5K N		Aluminum		
	2K - 10K lbf		Alloy steel		
	10K - 50K N		Alloy steel		

### STANDARD CONFIGURATION



MODEL SSM-AJ-100 (Shown)

### OPTIONS

- PC04E-10-6P connector on load cell body (SSM-500 lbf / SSM-2 kN and above)
- Standardized output
- Special temperature range
- Cable length
- Transducer Electronic Data Sheets (TEDS)
- Add connector to cable

### ACCESSORIES

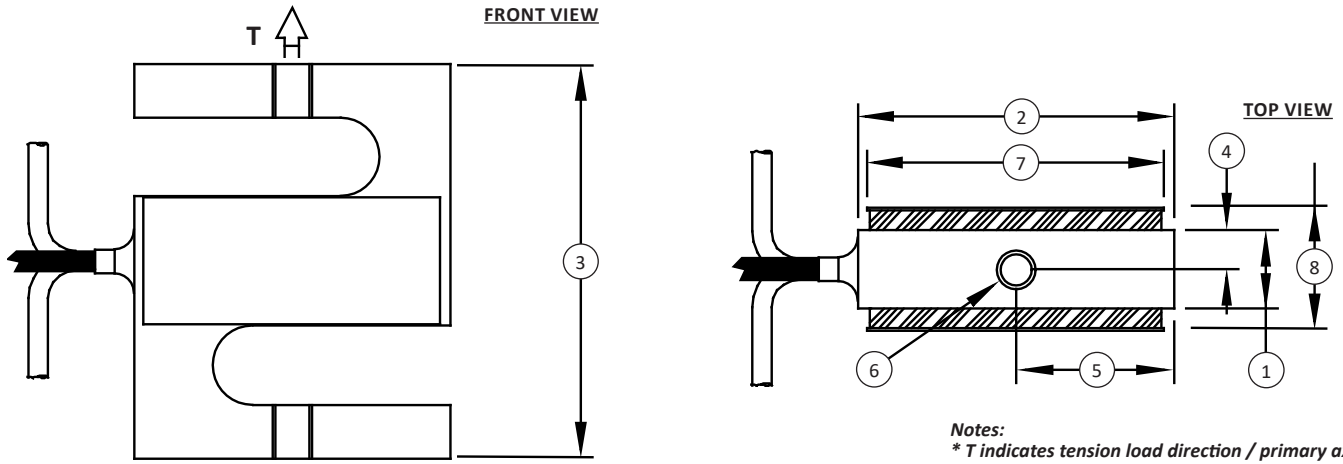
- Load button
- Instrumentation
- Mounting hardware

### CONNECTOR OPTIONS

- 10 ft (3 m) integral cable

*International System of Units (SI) dimensions and capacities are provided for conversion only. Standard products have U.S. capacities and dimensions. SI capacities available upon special request and at an additional cost.*

## SSM/SSM2 SEALED S-TYPE LOAD CELL (U.S. & METRIC)



### DIMENSIONS

See Drawing	MODEL							
	SSM							
	CAPACITY							
	U.S. (lbf)	Metric (N)	U.S. (lbf)	Metric (N)	U.S. (lbf)	Metric (N)	U.S. (lbf)	Metric (N)
	50	100, 200	100, 125, 150	500, 700	250	1K	500	2K
	in	mm	in	mm	in	mm	in	mm
(1)	0.50	12.7	0.50	12.7	0.50	12.7	1.00	25.4
(2)	2.00	50.8	2.00	50.8	2.00	50.8	2.00	50.8
(3)	2.50	63.5	2.50	63.5	2.50	63.5	3.00	76.2
(4)	0.25	6.40	0.25	6.40	0.25	6.40	0.50	12.7
(5)	1.00	25.4	1.00	25.4	1.00	25.4	1.00	25.4
(6)	2X .250-28 UNF-2B	M6 X 1-6H	2X .250-28 UNF-2B	M6 X 1-6H	2X .250-28 UNF-2B	M6 X 1-6H	0.5-20 UNF-2B	M12 X 1.75-6H
(7)	1.88	47.8	1.88	47.8	1.88	47.8	1.88	47.8
(8)	0.82	20.8	0.72	18.3	0.72	18.3	1.18	30.0

See Drawing	MODEL							
	SSM				SSM2			
	U.S. (lbf)	Metric (N)	U.S. (lbf)	Metric (N)	U.S. (lbf)	Metric (N)	U.S. (lbf)	Metric (N)
	750, 1K	2.5K, 3K, 5K	2K, 3K	10K	5K	15K, 20K	5K, 10K	25K, 50K
	in	mm	in	mm	in	mm	in	mm
(1)	1.00	25.4	0.98	24.9	1.50	38.1	1.48	37.6
(2)	2.00	50.8	1.98	50.3	2.50	63.5	2.98	75.7
(3)	3.00	76.2	2.98	75.7	3.50	88.9	3.98	101.1
(4)	0.50	12.7	0.50	12.7	0.75	19.1	0.74	18.8
(5)	1.00	25.4	1.00	25.4	1.25	31.8	1.49	37.8
(6)	0.5-20 UNF-2B	M12 X 1.75-6H	0.5-20 UNF-2B	M12 x 1.75-6H	0.625-18 UNF-2B	M16 x 2-6H	0.75-16 UNF-2B ↓ 0.75	M20 X 1.5-6H ↓ 18.5
(7)	1.88	47.8	1.88	47.8	2.38	60.5	2.88	73.2
(8)	1.25	30.0	1.23	31.2	1.75	44.5	1.76	44.8

International System of Units (SI) dimensions and capacities are provided for conversion only. Standard products have U.S. capacities and dimensions. SI capacities available upon special request and at an additional cost.