

BSC4D MULTI-CHANNEL DIGITAL PC INTERFACE AND DATA ACQUISITION INSTRUMENT (U.S. & METRIC)

FEATURES & BENEFITS

- USB outputs
- 4 independent channels
- For use with model 3AXX series 3-axis load cells
- Can be used with up to any 4 standard load cells (with mV/V output)

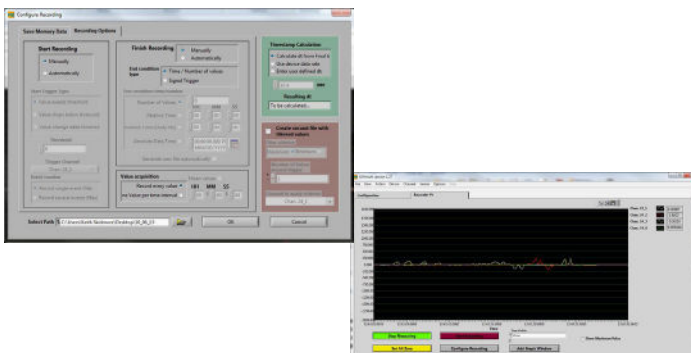
SPECIFICATIONS

PERFORMANCE		
Output Type	USB Only	
Signal Input Range – mV/V	Up to 10	
Accuracy Class – %	0.05	
CMR – dB @ 60 Hz	95 - 110	
Data Rate – Hz	0 - 500	
Cut-Off Frequency – analog – Hz	450	
Cut-Off Frequency – digital	Notch Filler	
Resolution – bit	16	
EXCITATION		
Excitation Voltage - V	2.5	
Excitation Current – mA	10	
Supply Voltage – VDC	4.5 - 5.5 from USB	
Supply Current – mA	< 200	
ENVIRONMENTAL		
Operating Range	°C	-10 to +65
	°F	+14 to +149
Storage Range	°C	-40 to +85
	°F	-40 to +185
Zero Drift/ °C		0.005%
Sensitivity Drift/ °C		0.001%

OPTIONS

- M12 load cell connectors (4x)

SOFTWARE SCREEN SHOTS

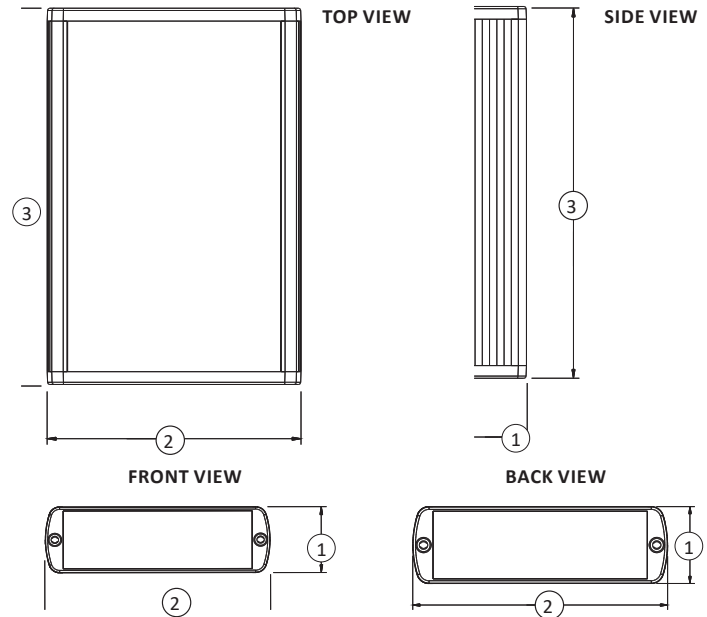


STANDARD CONFIGURATION



BSC4D-D (Shown)

MODEL	DESCRIPTION
BSC4D	USB output, up to 10 mV/V input, 37-pin input connector, USB powered. Includes graphing and logging software



DIMENSIONS

	1		2		3	
	mm	in	mm	in	mm	in
	35.0	1.38	109.6	4.31	120.5	4.74