

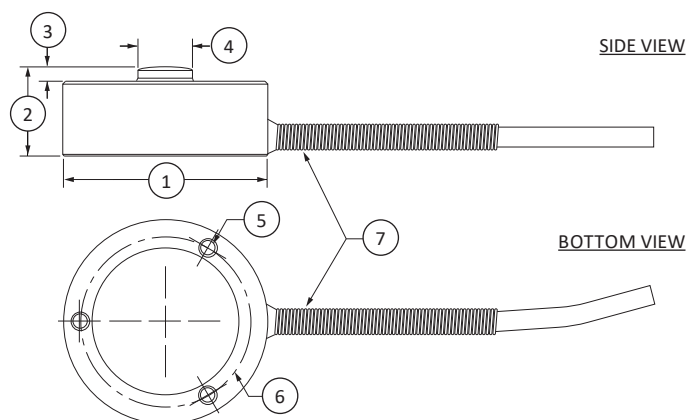
# GLBM SERIES LOAD BUTTON LOAD CELL (METRIC)

The GLBM Load button load cells are strain gauge based transducers with temperature compensation and excellent overall performance. This type provides a range of capacities up to 200kN with better than  $\pm 0.5\%$  (full scale) non-linearity. Three tapped holes are provided on the underside for ease of mounting. Fully welded cover, amplified and digitized versions are available on request.

## STANDARD CONFIGURATION



Model GLBM-200N-N-2 (Shown)

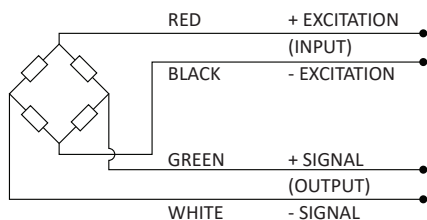


## OPTIONS

- Connector with integrated TEDS chip is available to order

## WIRING DIAGRAM

- The load button is provided with 4x28 AWG within a braided shielded cable (overall cable length 2m).
- 6-wire cable is available to order.



## DIMENSIONS

Capacity	100, 200, 500 N	1, 2, 5, 10 kN	15, 20, 50 kN	100, 150 kN	200 kN
(1)	Ø24.90	Ø31.75	Ø38.10	Ø50.30	Ø75.70
(2)	8.13	9.91	16.0	25.4	38.1
(3)	1.27	1.27	2.03	3.05	4.60
(4)	Ø5.33	Ø8.13	Ø10.16	Ø15.24	Ø19.80
(5)	M3 x THRU	M4 x THRU	M4 x ↓ 8.00	M4 x ↓ 6.40	M4 x ↓ 6.40
(6)	Ø19.05	Ø25.4	Ø31.75	Ø41.30	Ø60.50
(7)	Strain Relief Spring				



\* All dimensions are in mm.  
 \*\* This product is not available in the United States.

## SPECIFICATIONS

PARAMETER	RANGE	NOTES
Capacity	100, 200, 500, 1000, 2000, 5k, 10k, 15k, 20k, 50k, 100k, 150k, 200k N	With metric threads as standard
Allowable maximum load	150% full scale	No effect on performance
Non-linearity	$\pm 0.5\%$ FS MAX	
Hysteresis	$\pm 0.3\%$ FS MAX	
Repeatability	$\pm 0.1\%$ FS MAX	
Total error	$\pm 0.8\%$ FS MAX	Non-linearity and hysteresis
Zero balance	2% FS MAX	
Zero temp coefficient	0.01% FS / °C	
Span temp coefficient	0.02% FS / °C	
Compensated temperature range	-15 °C TO 70 °C	Wider range available to order
Operating temperature range	-20 °C TO 80 °C	Wider range available to order
Output	2mV/V Nominal (1mV/V for 100N and 25lb)	Amplified and digitized versions available to order
IP Rating	IP64 – Bonded Cover	Bonded cover is standard.
Excitation	5V Recommended, 10V Max	
Bridge resistance	350 Ohms – (100N – 500N) & (25lb – 100lb) 700 Ohms – above 1kN & 250lb	