

# Model 1800 Platinum Standard™ Calibration Load Cell

- Handcrafted excellence for the most demanding calibration requirements
- Tension and compression in one unit
- .005% nonrepeatability
- 2% lower load limit per ASTM E74
- High precision base installed
- ASTM E74 calibration standard
- Internal electronic ID
- Eccentric load compensated
- .0008%/°F temp. effect on output
- Connector protector standard

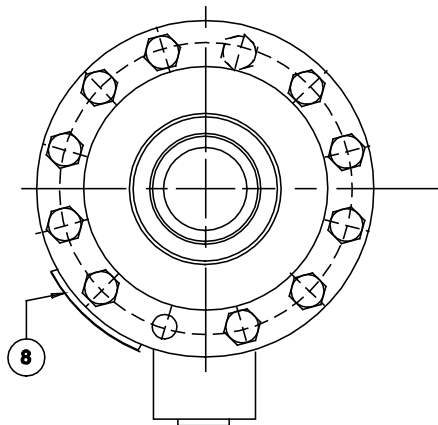


## SPECIFICATIONS

PARAMETERS	MODEL				
	1810	1810	1810	1820	1830
	CAPACITY				
U.S. Models (lbf)	1.1K	2.2K, 3.3K	5.5K	11K, 22K	55K
Metric Models (kN)	5	10, 15	25	50, 100	250
<b>ACCURACY – (MAX ERROR)</b>					
Static Error Band-% FS	±0.020	±0.020	±0.020	±0.020	±0.025
Nonlinearity-% FS	±0.020	±0.020	±0.020	±0.020	±0.020
Hysteresis-% FS	±0.020	±0.025	±0.025	±0.025	±0.030
Nonrepeatability-% RO	±0.005	±0.005	±0.005	±0.005	±0.005
Creep, in 20 min-%	±0.01	±0.01	±0.01	±0.01	±0.01
Side Load Sensitivity-%	±0.1	±0.1	±0.1	±0.1	±0.1
Eccentric Load Sensitivity-%/in	±0.05	±0.05	±0.05	±0.05	±0.05
Lower Load Limit - % Cap. (ASTM E74 Class A)	2.0	2.0	2.0	2.0	2.0
<b>TEMPERATURE</b>					
Compensated Range-°F	15 to 115	15 to 115	15 to 115	15 to 115	15 to 115
Compensated Range-°C	-10 to 45	-10 to 45	-10 to 45	-10 to 45	-10 to 45
Operating Range-°F	-65 to 200	-65 to 200	-65 to 200	-65 to 200	-65 to 200
Operating Range-°C	-55 to 90	-55 to 90	-55 to 90	-55 to 90	-55 to 90
Effect on Zero-%RO/°F – MAX	±0.0004	±0.0004	±0.0004	±0.0004	±0.0004
Effect on Output-%RO/°F – MAX	±0.0008	±0.0008	±0.0008	±0.0008	±0.0008
<b>ELECTRICAL</b>					
Rated Output-mV/V (Nominal)	2.0	2.0	2.0	2.0	2.0
Excitation Voltage-VDC MAX	20	20	20	20	20
Bridge Resistance-Ohm (Nominal)	700	700	700	700	700
Zero Balance-% RO	±1.0	±1.0	±1.0	±1.0	±1.0
Insulation Resistance-Megohm	5000	5000	5000	5000	5000
<b>MECHANICAL</b>					
Safe Overload-% CAP	±150	±300	±300	±300	±300
Deflection @ RO-inch	0.002	0.002	0.002	0.002	0.004
Weight-lb	3.8	9	9	25	62
Connector	PT02E-12-8P	PT02E-12-8P	PT02E-12-8P	PT02E-12-8P	PT02E-12-8P
Calibration	T & C	T & C	T & C	T & C	T & C

## DIMENSIONS

See Drawing	MODEL					
	1810		1820		1830	
	CAPACITY					
	U.S. (lbf)	Metric (kN)	U.S. (lbf)	Metric (kN)	U.S. (lbf)	Metric (kN)
	1.1K, 2.2K, 3.3K, 5.5K	5, 10, 15, 25	11K, 22K	50, 100	55K	250
	inch	mm	inch	mm	inch	mm
(1)	4.65	118.1	6.85	174.0	8.26	209.7
(2)	3.28	83.3	4.13	104.9	5.00	127.0
(3)	0.03	0.80	0.03	0.80	0.03	0.80
(4)	0.75	19.1	1.50	38.1	1.88	47.8
(5)	4.13	104.9	6.06	154.0	8.00	203.2
(6)	6.00	152.4	6.00	152.4	8.00	203.2
(7)	PT02E-12-8P					
(8)	Identification Label					
(9)	5/8 - 18 UNF - 3A	M16 x 2 - 4h	1 1/4 - 12 UNF - 3A	M33 x 2 - 4h	1 3/4 - 12 UNF - 3A	M42 x 2 - 4h
(10)	5/8 - 18 UNF - 3B 0.75 deep	M16 x 2 - 4H	1 1/4 - 12 UNF - 3B 1.25 deep	M33 x 2 - 4H	1 3/4 - 12 UNF - 3B 2.00 deep	M42 x 2 - 4H 50.8

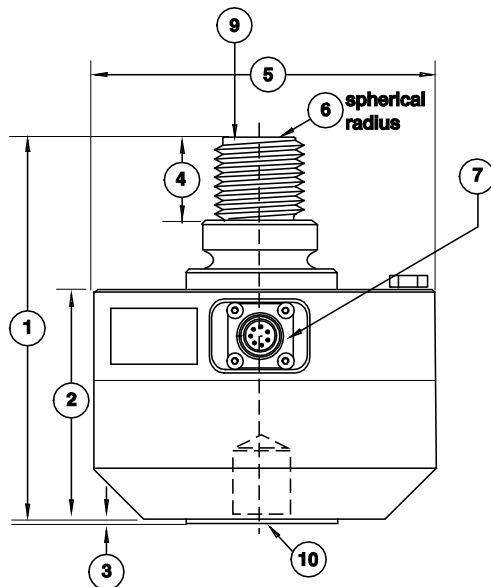


## ACCESSORIES

- Precision mV/V Transfer Standard
- Instrument Cable Assemblies
- Signal Conditioning Boards
- Calibration Software

## STANDARD CONFIGURATIONS

PT02E-12-8P Connector



Via Italo Calvino 7  
Lotto 1 - Edificio A13-14  
20017 Rho (MI)

Tel. +39 02 36569371  
info@danetech.it  
www.danetech.it