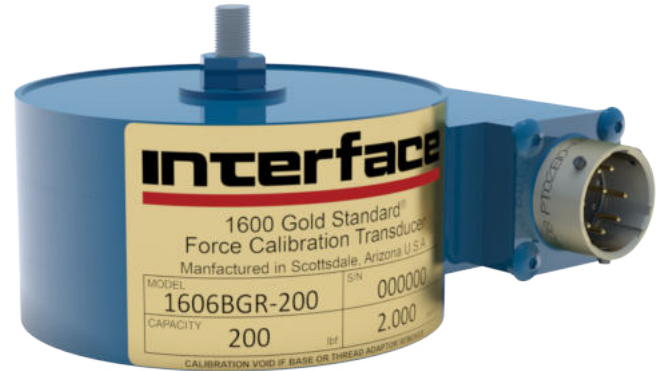


1606 GOLD STANDARD™ LOW CAPACITY CALIBRATION LOAD CELL (U.S. & METRIC)

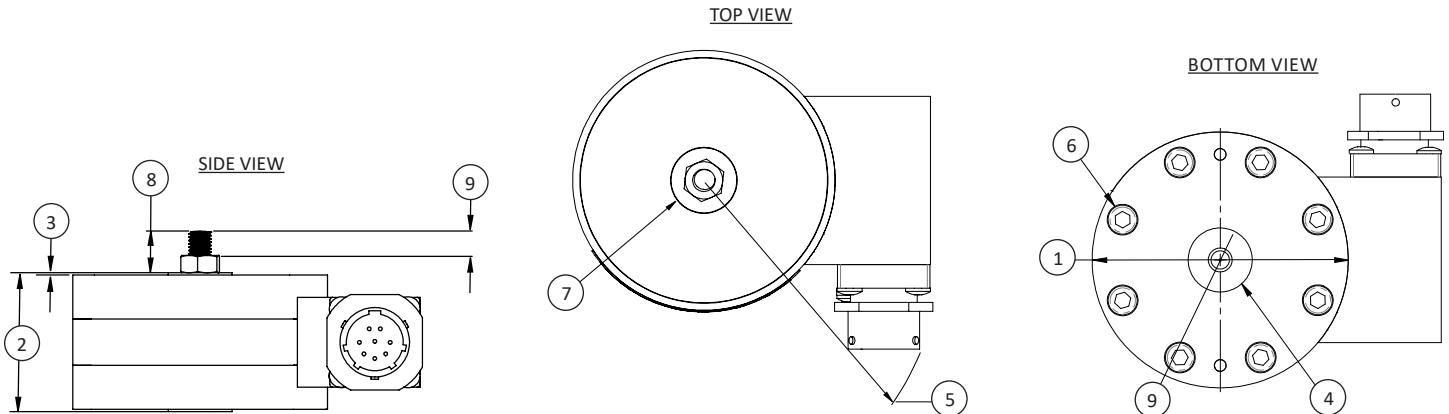
FEATURES & BENEFITS

- Capacities from 50 to 300 lbf (250 to 1,500 N)
- Tension & compression in one unit
- 0.02% creep
- 3 run NIST traceable ASTM E74 calibration
- Factory installed calibration adapter
- Eccentric load compensated
- 0.0008%/°F temperature effect on output
- 4% lower load limit per ASTM E74
- Higher capacities available

STANDARD CONFIGURATION



Model 1606BGR-2.5K (Shown)



DIMENSIONS

| See Drawing | CAPACITY | |
|-------------|------------------------------|--------------------------|
| | U.S. (lbf) | Metric (N) |
| | 50, 100, 200, 300 | 250, 500, 1000, 1500 |
| | in | mm |
| (1) | 2.75 | 69.8 |
| (2) | 1.50 | 38.1 |
| (3) | 0.03 2x | 0.6 2x |
| (4) | 0.69 | 17.5 |
| (5) | 2.85 | 72.3 |
| (6) | 8 Places | |
| (7) | 0.69 | 17.5 |
| (8) | 0.45 | 11.4 |
| (9) | 1/4-28 UNF \downarrow 0.25 | M6x1-6H \downarrow 6.4 |

International System of Units (SI) dimensions and capacities are provided for conversion only. Standard products have U.S. capacities and dimensions. SI capacities available upon special request and at an additional cost.

1606 GOLD STANDARD™ LOW CAPACITY CALIBRATION LOAD CELL (U.S. & METRIC)

SPECIFICATIONS

| PARAMETERS | MODEL | | | |
|--|-----------------------|-------------|---------------|-----------------|
| | 1606 | | 1606 | |
| | CAPACITY | | | |
| | U.S. (lbf) | Metric (N) | U.S. (lbf) | Metric (N) |
| | 50 | 250 | 100, 200, 300 | 500, 1000, 1500 |
| ACCURACY – (MAX ERROR) | | | | |
| Static Error Band – %FS | ±0.03 | | ±0.02 | |
| Nonlinearity – %FS | ±0.04 | | ±0.03 | |
| Hysteresis – %FS | ±0.03 | | ±0.02 | |
| Nonrepeatability – %RO | ±0.005 | | ±0.005 | |
| Creep, 20 min – % | ±0.02 | | ±0.02 | |
| Side Load Sensitivity – % | ±0.25 | | ±0.25 | |
| Eccentric Load Sensitivity – % / in | ±0.25 | | ±0.25 | |
| Lower Load Limit – % Cap. (ASTM E74 CLASS A) | 4.0 | | 4.0 | |
| TEMPERATURE | | | | |
| Compensated Range | °F | +15 to +115 | | +15 to +115 |
| | °C | -10 to +45 | | -10 to +45 |
| Operating Range | °F | -65 to +200 | | -65 to +200 |
| | °C | -55 to +90 | | -55 to +90 |
| Effect on Zero – %RO / deg | °F | ±0.0008 | | ±0.0008 |
| Effect on Output – % / deg | °F | ±0.0008 | | ±0.0008 |
| ELECTRICAL | | | | |
| Rated Output – mV/V (Nominal) | 2.0 | | 2.0 | |
| Excitation Voltage – VDC MAX | 20 | | 20 | |
| Bridge Resistance – Ohm (Nominal) | 700 | | 700 | |
| Zero Balance – %RO | ±1.0 | | ±1.0 | |
| Insulation Resistance – Megohm | 5000 | | 5000 | |
| MECHANICAL | | | | |
| Safe Overload – %CAP | ±150 | | ±150 | |
| Deflection @ RO | in | 0.003 | | 0.003 |
| | mm | 0.08 | | 0.08 |
| Weight | lbs | 1.0 | | 1.0 |
| | kg | 0.45 | | 0.45 |
| Calibration | Tension & Compression | | | |
| Material | Tool steel | | | |

OPTIONS

- Connector protection
- Standardized output
- Transducer Electronic Data Sheet (TEDS)
- Custom calibration
- Multiple bridge
- Special threads
- Dual diaphragm
- Special temperature range

CONNECTOR

- PT02E-12-8P

ACCESSORIES

- Mating connector
- Mating cable
- Instrumentation
- Calibration software