

3201 STANDARD STAINLESS STEEL LOAD CELL COMPRESSION-ONLY (U.S. & METRIC)

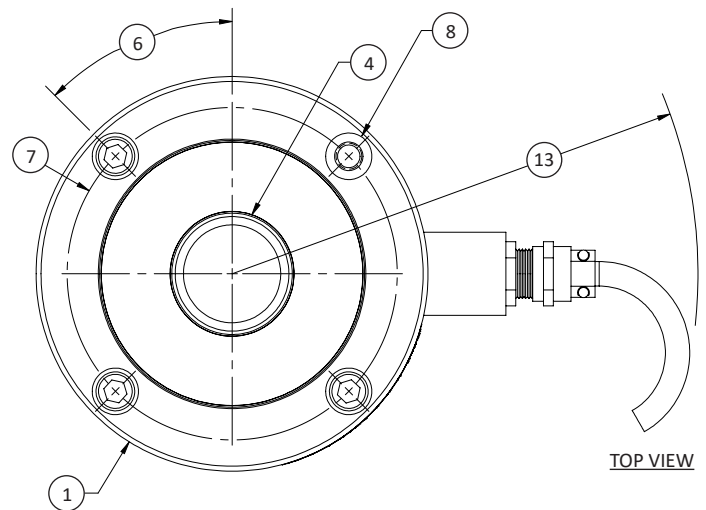
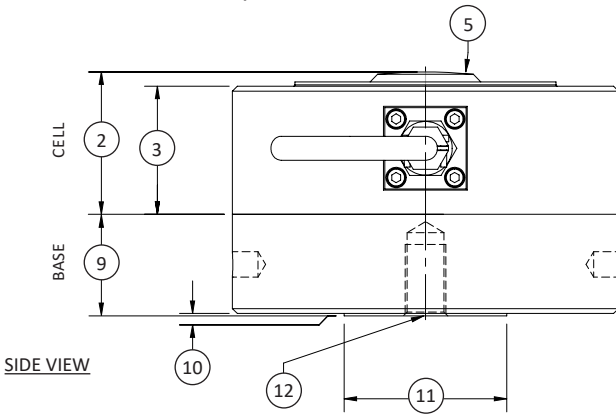
FEATURES & BENEFITS

- Capacities from 5K to 100K lbf (25 to 450 kN)
- Proprietary Interface temperature compensated strain gages
- Hermetically sealed cell
- Performance to 0.04%
- Compact size
- High 4 mV/V output
- Eccentric load compensated
- 0.0008%/°F temp. effect on output
- Low deflection
- Shunt calibration
- Barometric compensation

STANDARD CONFIGURATION



Model 3221BBE-50K (Shown without base)



DIMENSIONS

See Drawing	MODEL					
	3211		3221		3231	
	CAPACITY					
	U.S. (lbf)	Metric (kN)	U.S. (lbf)	Metric (kN)	U.S. (lbf)	Metric (kN)
	2.5K, 5K, 10K	25, 50	25K, 50K	10, 250	100K	450
	in	mm	in	mm	in	mm
(1)	Ø4.13	Ø104.9	Ø4.75	Ø120.7	Ø7.50	Ø203.2
(2)	1.38	35.1	1.75	44.4	2.25	57.2
(3)	1.20	30.5	1.58	40.1	1.95	49.5
(4)	Ø0.90	Ø22.9	Ø1.19	Ø30.2	Ø2.67	Ø67.8
(5)	SR 6.00	SR 152.4	SR 6.00	SR 152.4	SR 8.00	SR 203.2
(6)	22.5°		45.0°		15.0°	
(7)	Ø3.50	Ø88.9	Ø4.00	Ø101.6	Ø6.25	Ø158.8
(8)	¼-28 x 1¼ 8 places		⅜-24 x 1¼ 4 places		⅝-20 x 2 12 places	
(9)	1.13	28.7	1.25	31.8	2.00	50.8
(10)	0.03	0.8	0.03	0.8	0.03	0.8
(11)	Ø1.25	Ø31.8	Ø2.00	Ø50.8	Ø3.00	Ø76.2
(12)	⅜-18 UNF-3B Ø 0.87	M16 x 2-4H Ø 22.1	½-20 UNF-3B Ø 0.88	M16 x 2-6H Ø 22.4	1 ⅝-12 UNF-3B Ø 1.75	M27 x 2-6H Ø 44.5
(13)	2.52	64	3.00	76.2	4.34	110.2

International System of Units (SI) dimensions and capacities are provided for conversion only. Standard products have U.S. capacities and dimensions. SI capacities available upon special request and at an additional cost.

3201 STANDARD STAINLESS STEEL LOAD CELL COMPRESSION-ONLY (U.S. & METRIC)

SPECIFICATIONS

PARAMETERS		MODEL				
		3211	3211	3221	3221	3231
		CAPACITY				
Measuring Range	U.S. (lbf)	2.5K, 5K	10K	25K	50K	100K
	Metric (kN)	11.1, 25	50	100	250	450
ACCURACY – (MAX ERROR)						
Static Error Band – %FS		±0.04	±0.04	±0.04	±0.04	±0.04
Nonlinearity – %FS		±0.05	±0.05	±0.05	±0.05	±0.05
Hysteresis – %FS		±0.06	±0.06	±0.06	±0.06	±0.06
Nonrepeatability – %RO		±0.01	±0.01	±0.01	±0.01	±0.01
Creep, 20 min – ±%0.025		±0.025	±0.025	±0.025	±0.025	±0.025
Side Load Sensitivity – %		±0.25	±0.25	±0.25	±0.25	±0.25
Eccentric Load Sensitivity – %	in	±0.25	±0.25	±0.25	±0.25	±0.25
	mm	±6.4	±6.4	±6.4	±6.4	±6.4
TEMPERATURE						
Compensated Range	°F	+15 to +115	+15 to +115	+15 to +115	+15 to +115	+15 to +115
	°C	-10 to +45	-10 to +45	-10 to +45	-10 to +45	-10 to +45
Operating Range	°F	-65 to +200	-65 to +200	-65 to +200	-65 to +200	-65 to +200
	°C	-55 to +90	-55 to +90	-55 to +90	-55 to +90	-55 to +90
Effect on Zero – %RO / deg	°F	±0.0008	±0.0008	±0.0008	±0.0008	±0.0008
Effect on Output – % / deg	°F	±0.0008	±0.0008	±0.0008	±0.0008	±0.0008
ELECTRICAL						
Rated Output – mV/V (Nominal)		2.0, 4.0	4.0	4.0	4.0	4.0
Excitation Voltage – VDC MAX		20	20	20	20	20
Bridge Resistance – Ohm (Nominal)		350	350	350	350	350
Zero Balance – %RO		±1.0	±1.0	±1.0	±1.0	±1.0
Insulation Resistance – Megohm		5000	5000	5000	5000	5000
MECHANICAL						
Safe Overload – %CAP		±150	±150	±150	±150	±150
Deflection @ RO	in	0.002	0.002	0.002	0.002	0.003
	mm	0.051	0.051	0.051	0.051	0.076
Optional Base – P/N		B302	B302	B306	B306	B304
Natural Frequency – kHz		6.1	8.6	8.2	11.7	7.6
Weight	lbs	3.3	3.3	6.8	6.8	13.5
	kg	1.5	1.5	3.08	3.08	6.12
Calibration		Compression				

OPTIONS

- Base (Recommended)
- Standardized output
- Transducer Electronic Data Sheet (TEDS)
- Custom calibration
- Multiple bridge
- Special threads
- Special temperature range
- Cable length
- Add connector to cable

BASE



Model B32XX

ACCESSORIES

- Instrumentation
- Loading hardware